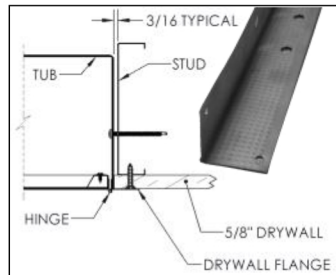
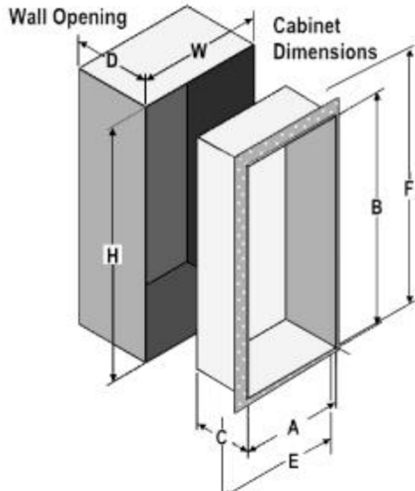
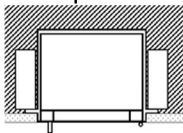


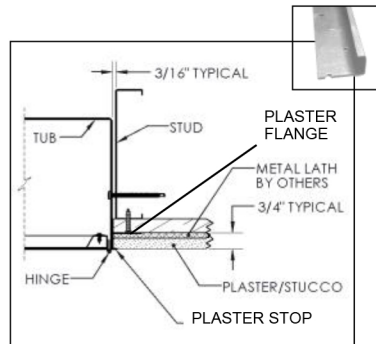
# RECESSED STEEL TRIMLESS SUBMITTAL : DIMENSIONS

DOOR SERIES #	Tub I.D.			Frame O.D.		Wall Opening		
	A	B	C	E	F	W	H	D
6014	24	30	6	27 1/8	33 1/8	25	31	6 1/8
6114	24	30	8	27 1/8	33 1/8	25	31	8 1/8
6214	24	34 3/4	6	27 1/8	37 7/8	25	35 3/4	6/18
6414	24	34 3/4	8	27 1/8	37 7/8	25	35 3/4	8 1/8
6614	24	38 3/4	8	27 1/8	41 7/8	25	39 3/4	8 1/8
6314	30	30	8	33 1/8	33 1/8	31	31	8 1/8
6514	32 3/4	34 3/4	8	35 7/8	37 7/8	33 3/4	35 3/4	8 1/8
7214	32 3/4	38 3/4	8	35 7/8	41 7/8	33 3/4	39 3/4	8 1/8

Top View



Flange for 5/8" Drywall



Flange for 3/4" Plaster